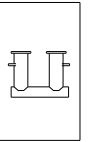
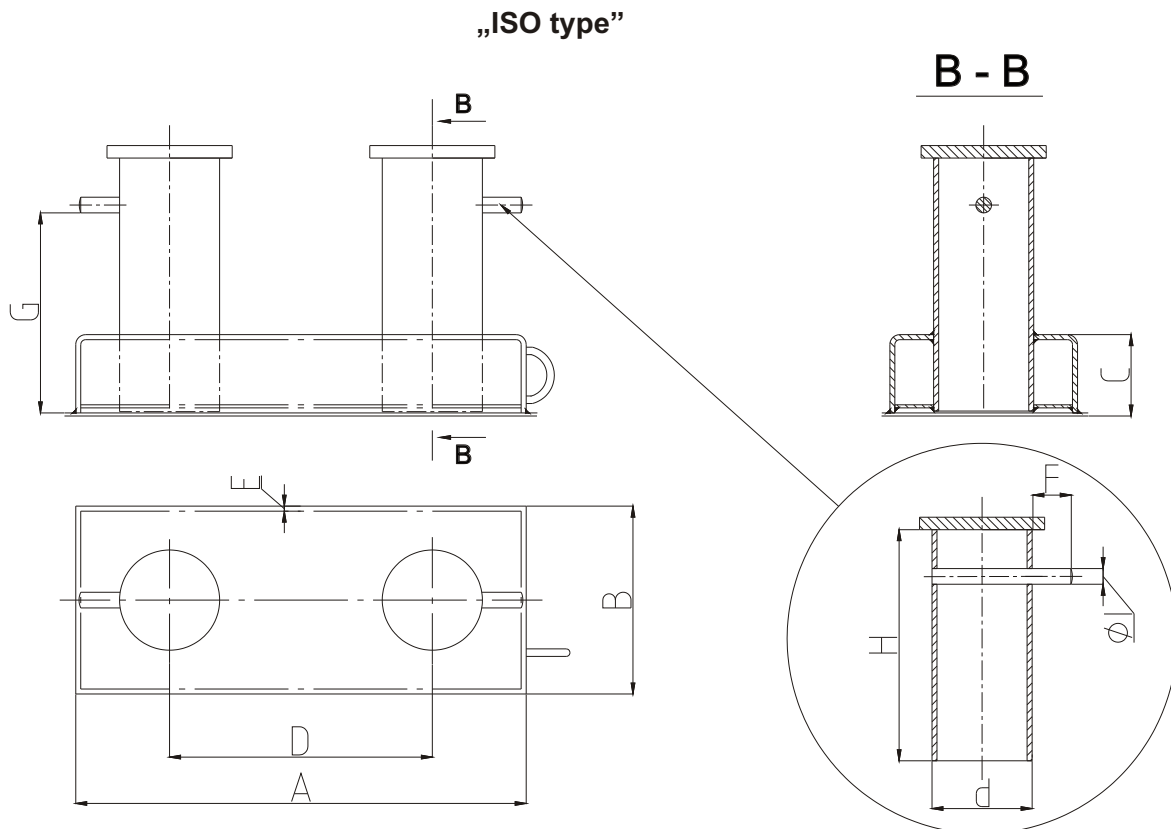


bollards



BMP delivers a wide range of double and single bollards all to ISO and DIN standard, see draw and tables below.



Type ISO	Pipe dimensions (d x S	A	B	C	D	E	F	G	H	I	J
1	168x6,3	720	300	125	420	8	65	270	370	25	200
2	193,7x8	830	350	145	480	9	75	310	425	30	250
3	219,1x10	940	395	160	550	10	85	350	485	35	300
4	273x11	1170	490	180	680	12	110	440	600	40	325
5	323,9x12,5	1390	585	200	810	12	130	520	715	50	400
6	355,6x17,5	1530	640	210	880	14	140	565	780	55	425
7	406,2x20	1750	730	220	1010	16	160	650	890	60	500
8	457x22,2	1960	820	240	1140	16	180	730	1000	70	525
9	508x17,5	2917	1220	250	1900	14	200	980	1340	80	600

Finishing: shotblasted, one layer of shop primer